

RESTAURANT- CAFE, PATIO

When your design calls for a durable and attractive indoor/outdoor patio or cafe floor, Metropolitan Ceramics has the right selection of slip resisting, heavy traffic, kiln fired products. These tile pavers are designed specifically to provide the needed strength and add to the visual appeal of the space. The classic look of Metropolitan's Down to Earth Red Paver is shown below adding just the right accent to a casual dining experience



A new patio area at Old Orchard Lanes needed a naturally attractive tile floor that could be installed over their concrete patio indoors and out. The Tile needed to be durable enough to stand up to the harsh Champaigne, Illinois winters. The tile also needed to fit well with the other natural brick and wood materials used in the two areas. The choice was simple, Down to Earth tile #350 Red Paver Velour texture.

METROPOLITAN QUARRY TILE- THE WORKHORSE of the tile industry.

Meets or exceeds all commercial tile standards. One of the most sustainable floor coverings available. Easy to maintain.

Features & Benefits SPOTLIGHT-

Will NOT bubble-chip-melt like other commercial flooring products that can be compromised and fail.

Fired at high temperatures to take the heat of spilled hot oil or other scorching hot substances.

VERY LOW absorption unlike more porous commercial flooring materials. Resists grease- bacteria- dirty water.

No sealing is required.

Never seal with a surface type sealer. For extreme conditions and areas subject to the spilling of animal fats, oil and grease, we recommend sealing with a simple water based penetrating sealer.

Heat/Cold resisting.

From the cooler to the fryer stability.

No VOC's.

Will not off gas.

Vertical installation responsive.

Expands installation options from floors to walls.

Economically friendly.

Costs less per year than all other floor finishes over the life of the building.

Through the body color.

Will not wear off and will not show wear patterns or discoloration. Looks as good tomorrow as it does today.

Modular sizes.

Adds pattern and interest to the most basic installations.

Manufactured with relieved edges.

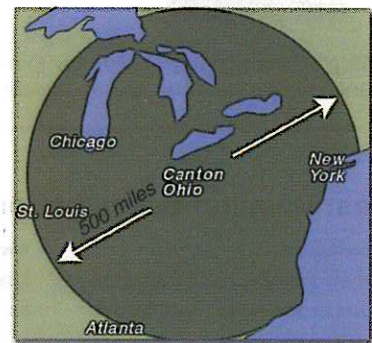
Relaxed natural look that resists chipping.

Extruded not pressed.

Extremely durable for years of heavy use.

Slip resisting.

For areas subject to spills and moisture.



METROPOLITAN CERAMICS

Ironrock Since 1866

P.O. Box 9240 Canton, OH 44711
1-800-325-3945
e-mail: info@ironrock.com
www.metroceramics.com



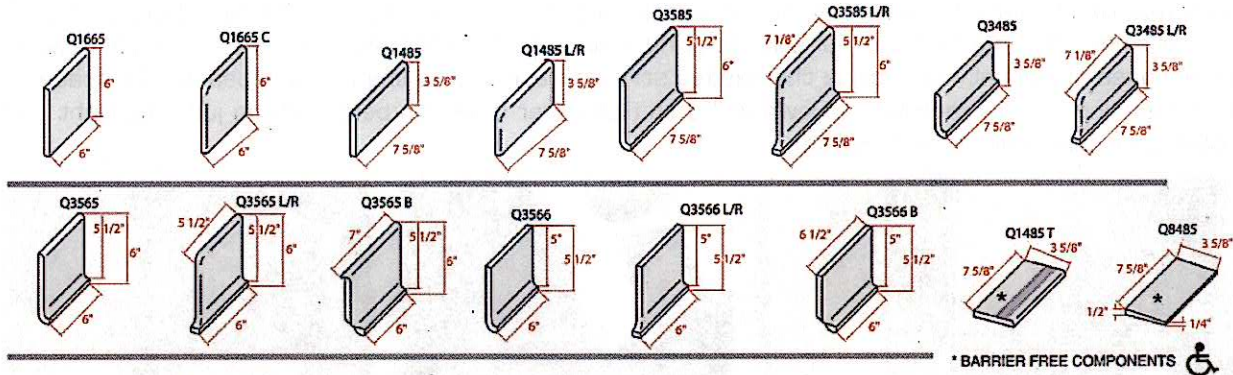
Metropolitan Ceramics is centrally located in Canton, Ohio USA- an important criteria for products being considered for use in buildings seeking

LEED certification. This is one of many green attributes of Metropolitan Ceramics. Others can be found @ www.metroceramics.com

MADE IN THE USA

Trim Pieces

Note: Not all trim pieces are available in all colors. Consult our web site for complete trim details and available options



Environmental

Metropolitan Ceramics and LEED. Metropolitan Ceramics products meet requirements for sustainable building and may contribute to a building receiving a level of LEED certification by their use. For more information on Metropolitan Ceramics and the environment, please visit our web site www.metroceramics.com.

Metropolitan Ceramics
is centrally located in Canton, Ohio USA

Metropolitan Ceramics offers two choices for added slip resistance.



QUARRYBASICS® X Colors
Metallic Additive.

Coefficient of Friction
.90 dry and .70 wet at time
of manufacture.



METRO TREAD®
Raised Tread Design- installed
in a checkerboard pattern.

Coefficient of Friction
.90 dry and .70 wet at time
of manufacture.

Metropolitan quarry tile is easy to maintain and requires only neutral cleaners and no special power washing!

Metro Tread has the added benefit of ease of cleaning. Will not trap debris. Meets the strictest health department regulations-California- without the need for additional drains.

Test Results- Specifications- Cleaning & Maintenance

Specification	Test	Standard	Result
Abrasion Resistance	ASTM C501	Index of 35 or better	Metropolitan tests at >80 or better.
Absorption 5-hour boil	ASTM C373	5%	Metropolitan tests at 3% maximum and qualifies as vitreous.
Breaking Strength	ASTM C648	Min. 250 lbs.	Metropolitan tests at 400 lbs. or better.
Compressive Strength	ASTM C67	No industry standard	Metropolitan tests at 10,000 P.S.I. or better.
Facial Size Variation	ASTM C499	Average facial dimension of each tile not to exceed 4% from nominal dimension(s)	Metropolitan meets the standard.
Freeze/ Thaw	ASTM C67 Metropolitan internal test	No industry standard Metropolitan internal standard is 3,000 cycles.	ASTM test is 50 cycles.
Shear Bond Strength	ASTM C482	50 P.S.I. or better	Metropolitan exceeds the standard.
Static Coefficient of friction	ASTM C1028	No industry standard	At time of manufacture, All Metropolitan Colors meet or exceed measure of 0.70 dry and 0.60 wet. Metropolitan X-colors and METROTREAD (enhanced slip resisting products) meet or exceed 0.90 dry and 0.70 wet.
Thickness	ASTM C499	Max. range of .050"	Metropolitan meets the standard.
Warpage	ASTM C485	Max. 1.5% along any edge. 1.0% on either diagonal.	Metropolitan meets the standard.
Wedging	ASTM C502	Max. 1.0%	Metropolitan meets the standard.

By ANSI Standard Specification A137.1 Metropolitan Ceramics' unglazed quarry tile is classified as quarry tile, however, the exceptional technical characteristics noted allow them to be used in virtually any application suitable for ceramic tile. Metropolitan Ceramics' unglazed tile meets both the ASTM standards, the ANSI A137.1 specification for quarry tile, and Metropolitan internal standards as listed.

Specifications- Cleaning and Maintenance

For complete specification and cleaning/ maintenance information, including download versions of these documents, please contact our website. www.metroceramics.com

METROPOLITAN
CERAMICS
Ironrock Since 1866

P.O. Box 9240 Canton, OH 44711
1-800-325-3945
e-mail: info@ironrock.com
www.metroceramics.com